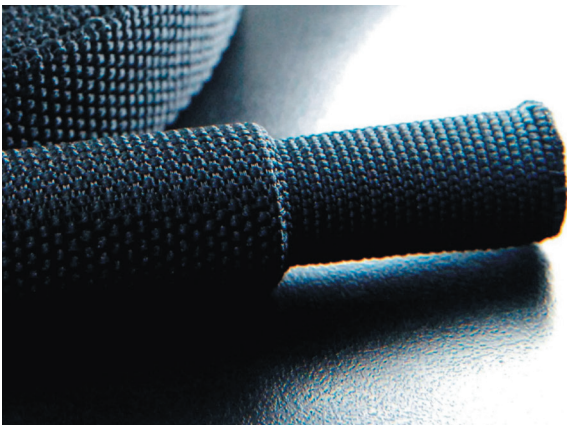




PPS-HSS

HEAT SHRINKABLE ABRASION RESISTANT FABRIC SLEEVING

PPS-HSS combines a woven polyester multifilament with a modified polyolefin filament to deliver a 2:1 heat shrinkable fabric sleeving capable of recovering down and conforming to its substrate.



This design allows for easy installation on to rubber hoses, plastic pipes and wiring harnesses. It is used extensively and performs excellently in harsh environment as a means of providing abrasion resistance, noise reduction and rattle suppression. The extremely flexible zero halogen woven construction makes it resistant to trapping water, heat and humidity. This product is easy to install and can be cut with standard industrial cutting equipment.

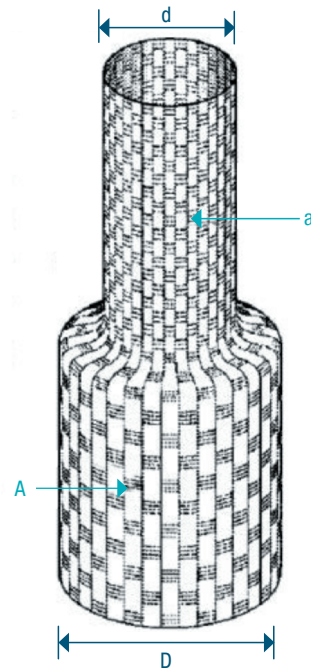
TECHNICAL DATA

Heat Shrinkable Abrasion Resistant Fabric Sleeving

Material	Polyolefin and Polyester
Working temperature	-40*c up to +150 *c, 3000hrs
Abrasion resistance	Conform to GMW14327> Class 7 (100000 times) See ISO6722-1
Low temperature resistance	Wrap around a 4x mandrel after test at -40*c for 4h. No brittleness
Fluid resistance	Conform to GMW14327, PASS
Colour	Black (standard) other colours available
Shrinkage ratio	2:1
Storage temperature	<60*c
Recommended shrinkage condition	150*c-200*c (tunnel/oven)
Certificate	RoHS, Halogen free

BENEFITS

- Precise protection - covers only where protection is required, thus minimizing costs.
- Safe installation, no potentially dangerous equipment needed.
- Exceptionally durable able to meet demanding automotive abrasion specifications.
- Extremely flexible material with woven construction allowing for easy installation onto difficult substrates such as tightly angled hoses.
- Simple to cut, scissors and guillotines will be effective.
- Repels hose pulsing effects.
- Easy to operate with, gloves are not necessary.
- Improves production.
- Performs in adverse environments.
- Substrates are gripped firmly excluding additional fixing.
- RoHS/ELV compliant.



ORDERING DESCRIPTION	SUPPLIED DIAMETER (mm)	RECOVERED DIAMETER (mm)	SPOOL SIZE (m)
PPS-HSS-12/6-BLK-SP(100M)	12.0	6.0	100
PPS-HSS-20/10-BLK-SP(100M)	20.0	10.0	100
PPS-HSS-25/12.5-BLK-(100M)	25.0	12.5	150
PPS-HSS-30/15-BLK-SP(100M)	30.0	15.0	100
PPS-HSS-34/17-BLK-SP(100M)	34.0	17.0	100
PPS-HSS-40/20-BLK-SP(100M)	40.0	20.0	100
PPS-HSS-50/25-BLK-SP(100M)	50.0	25.0	100
PPS-HSS-60/30-BLK-SP(100M)	60.0	30.0	50
PPS-HSS-70/35-BLK-SP(100M)	70.0	35.0	50
PPS-HSS-80/40-BLK-SP(100M)	80.0	40.0	50
PPS-HSS-100/50-BLK-SP(100M)	100.0	50.0	50



QUALITY ASSURANCE

PMG Company promises to always strive to offer our customers quality assurance. We aim to provide consistent and exceptional levels of customer service. This is achieved by our experienced sales and logistics teams. Quality assurance is our way of preventing mistakes and avoiding problems when products to our customers. The high quality products we supply also conform to internationally recognised product specifications and standards.